



KEY FEATURES

- ▶ **Multi-constellation, multi-frequency GPS, Galileo, GLONASS and BeiDou signals capable**
- ▶ **Reception of Inmarsat L-Band signals compatible with Fugro correction services**
- ▶ **Ruggedized design**

The PolaNt* MC is a lightweight, sturdy, high precision, multi-frequency, multi-constellation antenna. Built into a rugged and environmentally sealed housing with aluminium bottom plate, it is ideal for in physically demanding applications, such as agriculture, construction and marine.

The PolaNt* MC allows for the reception of augmentation services distributed via L-band, making it particularly suited for use in marine application in combination with Septentrio AsteRx products.

PolaNt* MC

FEATURES

Signals

L-Band (MSS)	
GPS	L1, L2, L5
GLONASS	L1, L2, L3
Beidou	B1, B2
Galileo	E1, E5a, E5b
SBAS	L1, L5
NavIC	L5
QZSS	L1, L2, L5

Frequencies

1525-1610 MHz
1160-1252 MHz

Polarisation

RHCP

Axial Ratio

3 dB Max

Radiation Coverage

Zenith	6.0 dBic
15° elevation	-2.0 dBic
10° elevation	-3.0 dBic
5° elevation	-4.0 dBic
Horizon	-5.0 dBic

Amplifier

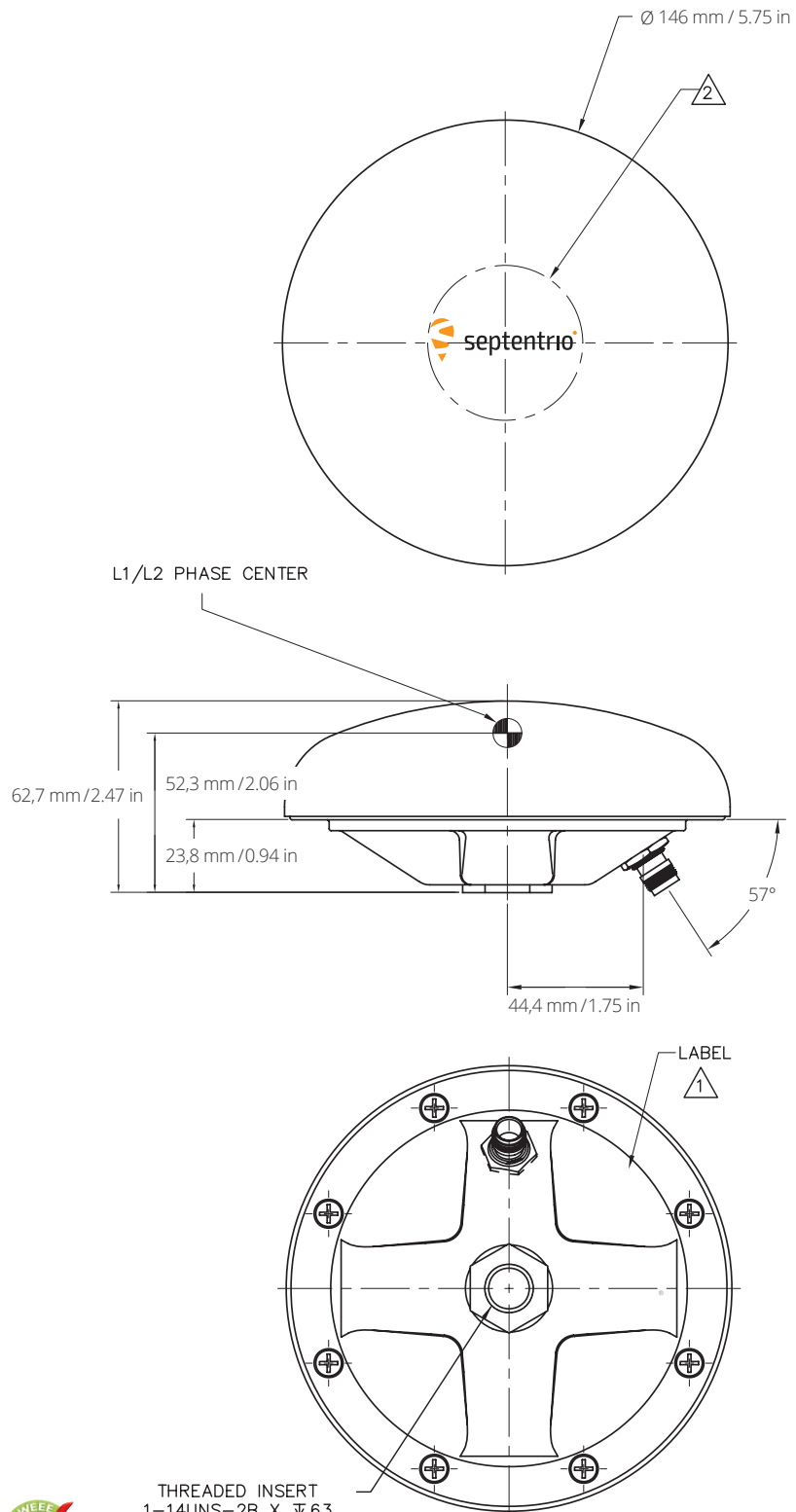
Gain	39 ± 2 dB
Noise Figure	2.6 dB max
Input Voltage	+3 to +15 VDC
Current	65 mA (typ)
Impedance	50 Ω
VSWR	≤ 2.0:1

Physical and Environmental

Finish	White radome with black aluminium base
Weight	≈ 500 g / 1.1 lb
Diameter	146 mm / 5.74 in
Connector	TNC Female
Temperature	-50° C to +85° C 67° F to 185° F
Designed to	D0160D
Certification	CE, RoHS and WEEE



THREADED INSERT
1-14UNS-2B X .63
ALUM. THREADS ADAPTER
5/8-11UNC-2B .63
OPTIONAL



EMEA (HQ)
Greenhill Campus
Interleuvenlaan 15i
3001 Leuven, Belgium
+32 16 30 08 00

Americas
Suite 200
23848 Hawthorne Blvd
Torrance, CA 90505, USA
+1 310 541 8139

Asia-Pacific
Shanghai, China
Yokohama, Japan
Seoul, Korea

